

**Application Guide**  
**The International Technical Exhibition**  
**of Medical Imaging 2018**

**ITEM 2018**

**Sponsored by: Japan Radiology Congress (JRC)**

**Organized by: Japan Medical Imaging and Radiological  
Systems Industries Association**



To whom it may concern

July, 2017

### **The International Technical Exhibition of Medical Imaging 2018**

We are pleased to announce that the Japan Radiology Congress (JRC) 2018 will be held in April 2018 in the *Pacifico* Yokohama Exhibition Hall.

The International Technical Exhibition of Medical Imaging (ITEM) is an academic exhibition organized as a part of JRC 2018 by Japan Medical Imaging and Radiological Systems Industries Association (JIRA). This annual exhibition covers a wide range of medical diagnostic imaging devices with related appliances, and is held concurrently with the 77<sup>th</sup> Annual Meeting of the Japan Radiological Society (JRS), the 74<sup>th</sup> Annual Meeting of the Japanese Society of Radiology Technology (JSRT), and the 115<sup>th</sup> Scientific Meeting of the Japan Society of Medical Physics (JSMP)

We have started to accept your application for ITEM 2018. Please refer to the JRC Website at <http://www.j-rc.org/> for the announcement. We hope you will read it carefully and give positive consideration to participating in this event. We would appreciate receiving your application no later than the stated deadline.

We sincerely look forward to your presence at the Exhibition and are grateful for your support and cooperation.

Sincerely,

Kuni Ohtomo  
Chairman  
Japan Radiology Congress

Kenichi Komatsu  
Chairman  
Japan Medical Imaging and Radiological  
Systems Industries Association

## Outline of Exhibition

### ◆ Academic congress

**Main Theme: Innovative Science and Humanism in Radiology**

#### ● **The 77<sup>th</sup> Annual Meeting of the Japan Radiological Society (JRS)**

President: Yutaka Imai (Tokai University)

Date: April 12 (Thu.) to April 15 (Sun.), 2018

Site: Conference Center and Annex Hall, *Pacifico* Yokohama

#### ● **The 74<sup>th</sup> Annual Meeting of the Japanese Society of Radiology Technology (JSRT)**

President: Shigeo Nishiki (Tenri Hospital)

Date: April 12 (Thu.) to April 15 (Sun.), 2018

Site: Conference Center and Annex Hall, *Pacifico* Yokohama

#### ● **The 115<sup>th</sup> Scientific Meeting of the Japan Society of Medical Physics (JSMP)**

President: Hiroshi Oguchi (Nagoya University)

Date: April 12 (Thu.) to April 15 (Sun.), 2018

Site: Conference Center, *Pacifico* Yokohama

◆ **The International Technical Exhibition of Medical Imaging 2018  
(ITEM 2018)**

**Date:** April 13 (Fri.) to 15 (Sun.), 2018

**Site:** Exhibition Hall [Halls —A (partial) , B , C , and D]  
at *Pacifico* Yokohama, Total 18,400 m<sup>2</sup>  
(Address: 1-1-1 Minato Mirai, Nishi-ku, Yokohama, Kanagawa 220-0012,  
Japan)

**Loading in/out (scheduled)**

Loading in: April 9 (Mon.) – April 12 (Thu.), 2018

Loading out: April 15 (Sun.) – April 16 (Mon.), 2018

◆ **Exhibition fee (including tax 8%)**

Type	Unit Measurement (m <sup>2</sup> )	Unit Price for JIRA members*	Unit Price for non-JIRA members
Unit without fittings L	300, 400, 500, 600,700,800	¥ 41,200/ m <sup>2</sup>	¥ 58,700/ m <sup>2</sup>
Unit without fittings M	40,60,80,100,120,160,200,240		
Unit A with basic fittings	Approx. 3.0 m (W) × 3.0 m (D)	¥ 419,700/ unit	¥ 599,700/ unit
Unit B With basic fittings	Approx. 3.0 m (W) × 2.0 m (D)	¥ 292,200/ unit	¥ 417,600/ unit
Outdoor vehicle exhibit for mass screening	One vehicle per exhibitor	¥ 102,900/3 days	¥ 154,300/3days
Additional charge for a corner unit	Space without fittings	¥ 16,500	¥ 23,500
	Unit A and B with basic fittings	¥ 8,300	¥ 11,800

**Notes:**

- (1) Prices for JIRA members\* apply to those exhibitors who will have been members for more than six months prior to the exhibition. They must be members at the time of exhibition.  
To apply for JIRA membership, please contact the JIRA office.  
(Tel: 81-3-3816-3450 Fax: 81-3-3818-8920).
- (2) No modifications are permitted after notification of unit allocation, including any to unit size.
- (3) If the items intended for exhibition are deemed not to be in conformity with the major themes of this exhibition (e.g., items such as used medical equipment), the application may be rejected.
- (4) Units with basic fittings employ system panels (2.7 m height for both Unit A and B). Please refer to the attached unit layout drawings.
- (5) Height limit for unit without basic fittings, please refer to the "Guide for Exhibitors" published later.
- (6) Fees for electrical line feeder work and power consumption will be charged to each exhibitor.

◆ **Exhibition spaces for related medical societies and research institutions**

- 1) Paid exhibition spaces are available exclusively for related medical societies and research institutions that are in conformity with the exhibition purposes set by JRC.
- 2) A unit of 2.0 m (W) x 1.5 m (D) is equipped with a power outlet, a standard signboard, a desk, and chairs.
- 3) The fee is ¥100,000 (8% tax included).
- 4) Special locations are reserved for the units. Please contact us for details.
- 5) If the exhibitor is deemed not to be in conformity with the major themes of the exhibition, the application may be rejected.

◆ **Group exhibition**

- 1) JIRA members and non-members are permitted to exhibit together in a same group.
- 2) A group exhibition may be offered by a group comprising up to three JIRA member and/or non-member corporations including the managing company. Please fill in the managing company's name and share of the exhibition fee on the application form. The non-member exhibition fee is applied to a group comprising JIRA member and non-member corporation.  
Please note no modifications are permitted after notification of unit allocation, including any to the number of member companies.
- 3) JIRA's regulations prohibit any transfer or subletting of a part or all of the allocated units. Please give careful consideration to this condition before applying for a group exhibition.

◆ **Send the application forms to:**

Mr. Naoto Watanabe  
Secretariat of the International Technical Exhibition of Medical Imaging  
Japan Radiology Congress (JRC)  
Kandasurugadai Bldg. 7F, 3-8, Kandaogawamachi, Chiyoda-ku, Tokyo 101-0052,  
Japan  
Fax: 81-3-3518-6139 E mail: [item@office.email.ne.jp](mailto:item@office.email.ne.jp)

◆ **Application deadline (to observe strictly):**

**September 22 (Fri.), 2017**

Please complete the application form on the last page, and submit your application using one of the following methods.

1. Print out and complete the form, and send it by post or facsimile.
2. Complete the form digitally in Word format, and send it by mail.

◆ **Allocation of booth unit:**

To be communicated by post as of October 20 (Fri.), 2017

◆ **Payee of exhibition fee**

Account name: —Japan Radiology Congress  
Bank of Tokyo-Mitsubishi UFJ, Kanda-branch, Account No. 5728498  
(Swift Code: BOTKJPJT)

◆ **Deadline for exhibition fee payment (to observe strictly)**

You will receive an invoice together with our decision on the booth location by the end of November. Please remit the amount to the account indicated above.

Deadline for payment: **February 2 (Fri.), 2018**

JRC may cancel the application of the applicant whose exhibition fee payment is overdue.

All bank transfer charges incurred on both the applicant and recipient sides shall be paid by the applicant.

◆ **Cancellation after submission of application form**

Cancellation of the exhibition by the applicant on his/her own volition will result in the following cancellation fees depending on the cancellation date:

- |  |                            |
|--|----------------------------|
| (1) From September 23, 2017 to October 20, 2017: | 20% of the exhibition fee  |
| (2) From October 21, 2017 to January 31, 2018:   | 50% of the exhibition fee  |
| (3) After February 1, 2018:                      | 100% of the exhibition fee |

◆ **Cancellation of exhibition in cases of natural disaster**

If JRC decides to cancel the exhibition because of an unexpected contingency such as a natural disaster, then the exhibition fee shall be refunded after subtracting the necessary expenses. The amount of the expenses will depend on the time of the cancellation.

◆ **Contact for details of applications and exhibition fees:**

Mr. Naoto Watanabe  
Secretariat of the International Technical Exhibition of Medical Imaging  
Japan Radiology Congress (JRC)  
Fax: 81-3-3518-6139 E mail: [item@office.email.ne.jp](mailto:item@office.email.ne.jp)

◆ **Contact for exhibition details:**

Mr. Masatsugu Mori, Chief of the Secretariat  
or Mr. Mitsuru Motoki, Secretariat of International Exhibition  
Japan Medical Imaging and Radiological Systems Industries Association (JIRA)  
Tel: 81-3-3816-3450 Fax: 81-3-3818-8920  
E mail: [exhibit@jira-net.or.jp](mailto:exhibit@jira-net.or.jp)

◆ **The exhibition/booth allocation lottery meeting schedules:**

Date: November 7 (Tue.), 2017 13:00 – 16:00  
Site: Zendentsuu Hall (Zendentsuu Rodou Kaikan),  
3-6, Kandasurugadai, Chiyada-ku, Tokyo 101-0062, Japan  
Phone: 81-3-3219-2211 Fax: 81-3-3219-2219

◆ **Miscellaneous**

- 1) If the total booth area applied for exceeds the effective area available, JIRA member companies will have priority in receiving booth space. In this case, therefore, the booth allocations to the Non-JIRA members will be adjusted based on the past records of the exhibition and other relevant factors.
- 2) Application via agent or broker is not acceptable in any case.
- 3) Payment via agent or broker is not acceptable for the following expenses related to the exhibition.
  - Electricity
  - Overtime use of the site
  - Automatic fire alarm system installation
  - Anchor bolt use (including removal and restoration)
  - Indication panel to inform the exhibit has not yet received pharmaceutical approval
  - Additional exhibitor's / workman's cards

◆ **Schedule**

Item	Date	Hours
Application deadline	September 22, 2017 (Fri.)	
Notification of unit allocation (size of booth)	October 20, 2017 (Fri.)	
Exhibition/booth allocation lottery and orientation meeting at Zendentsuu Hall	November 7, 2017 (Tue.)	13:00 - 16:00
Final notification of unit allocation (size of booth) and billing	Late November, 2017 (scheduled)	
Deadline for payment of exhibition fee	February 2, 2018 (Fri.)	

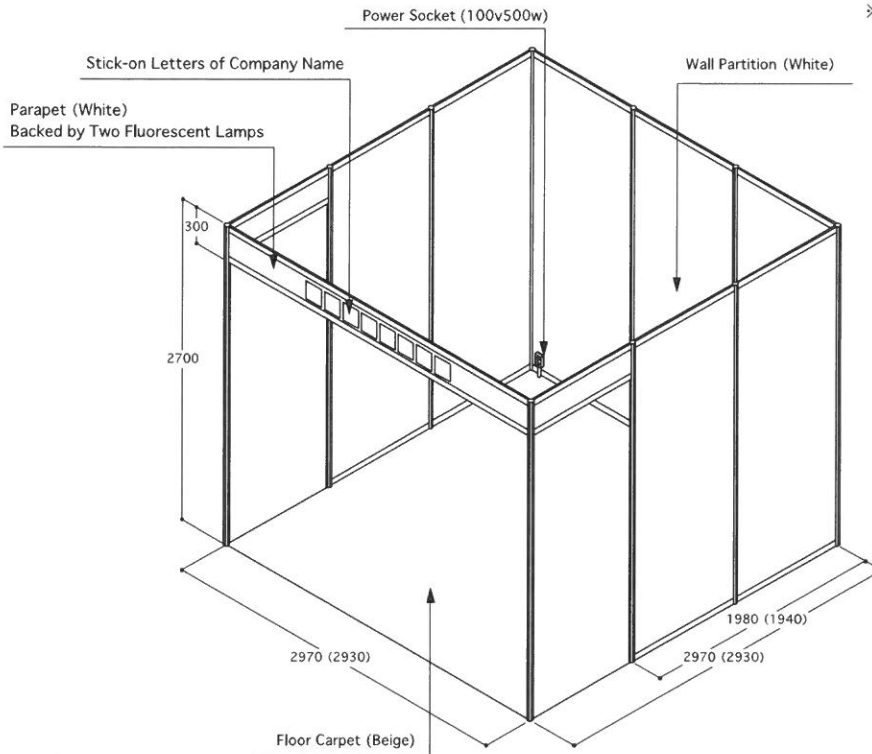
# The International Technical Exhibition of Medical Imaging 2018

## Basic Booth Specifications

Booth with Basic fittings A

W3000×D3000×H2700mm

※Inside dimension is shown in parenthesis

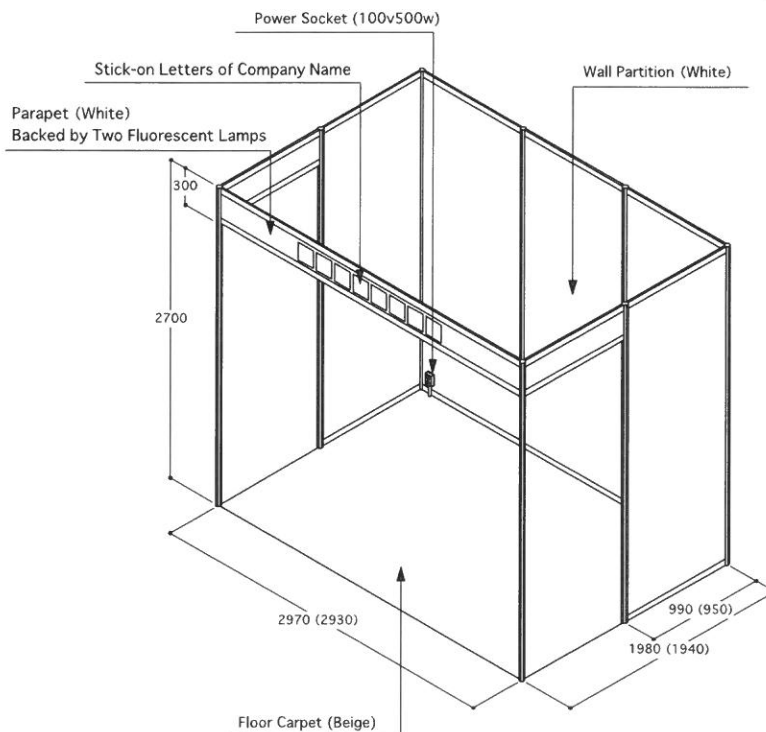


Stick-on Letters of Company Name
Parapet (White) Backed by Two Fluorescent Lamps
Power Socket (100v500w)
Wall Partition (White)
Floor Carpet (Beige)

Booth with Basic fittings B

W3000×D2000×H2700mm

※Inside dimension is shown in parenthesis



Stick-on Letters of Company Name
Parapet (White) Backed by Two Fluorescent Lamps
Power Socket (100v500w)
Wall Partition (White)
Floor Carpet (Beige)

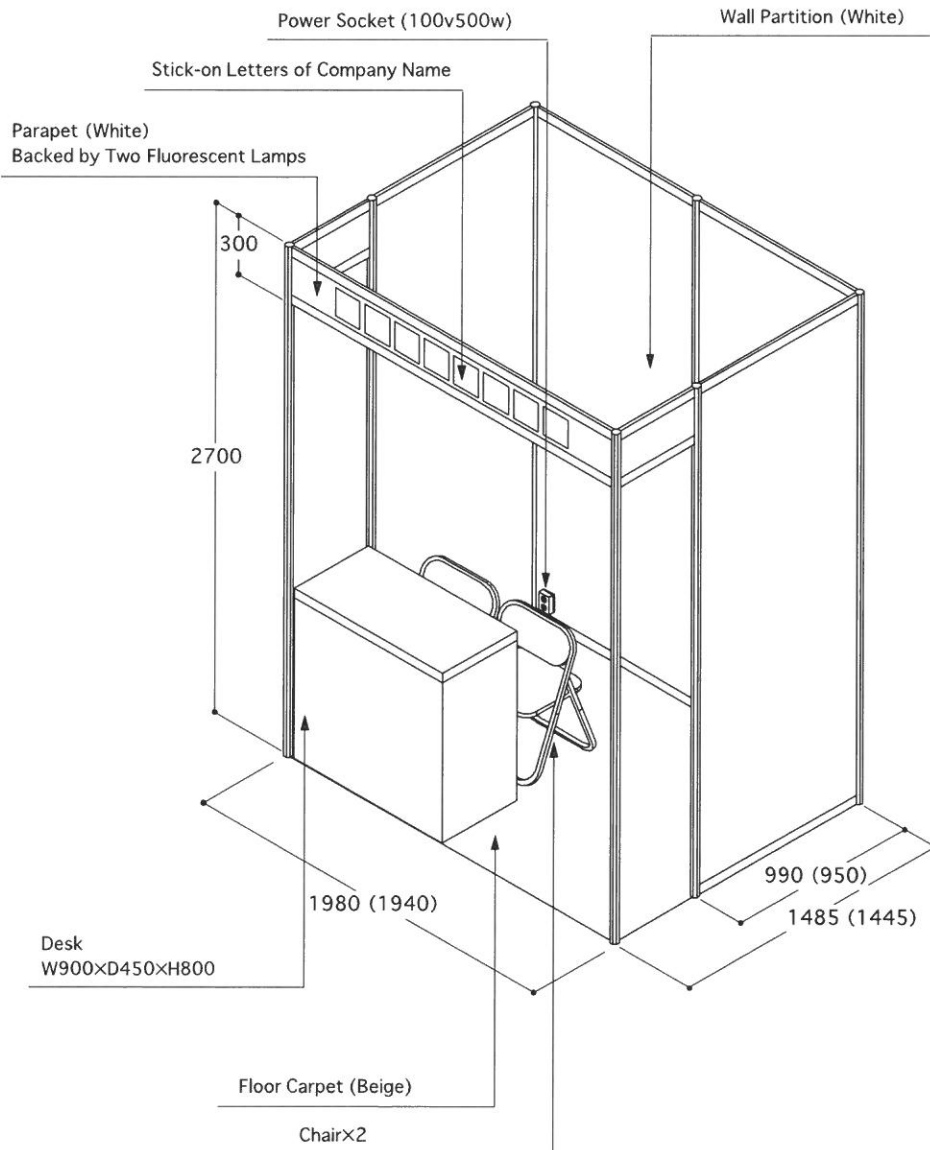


# The International Technical Exhibition of Medical Imaging 2018

— Booth exclusive for related medical societies and research institutions —  
- Specifications -

W2000×D1500×H2700mm

※Inside dimension is shown in parenthesis



Stick-on Letters of Company Name
Parapet (White) Backed by Two Fluorescent Lamps
Power Socket (100v500w)
Wall Partition (White)
Desk W900×D450×H800
Chair×2
Floor Carpet (Beige)

**FAX: +81-3-3518-6139    E-mail: item@office.email.ne.jp**

## APPLICATION FORM (ITEM2018)

**To:** Japan Radiology Congress (JRC)

Secretariat of the International Technical Exhibition of Medical Imaging 2018

Date:

Company Name		
JIRA membership status	(Please circle)    Member    Nonmember    Applying	
If nonmember, please specify your line of business		
Address		
Contact person	Name	
	Affiliation	
	E mail	
	Phone	
	Facsimile	

In case of a group exhibition, please provide information on the managing company.  
If completing the form by hand, please print clearly.

1. Unit without fittings: Please circle your desired area  
 L:    300 m<sup>2</sup> · 400 m<sup>2</sup> · 500 m<sup>2</sup> · 600 m<sup>2</sup> · 700 m<sup>2</sup> · 800 m<sup>2</sup>  
 M:    40 m<sup>2</sup> · 60 m<sup>2</sup> · 80 m<sup>2</sup> · 100 m<sup>2</sup> · 120 m<sup>2</sup> · 160 m<sup>2</sup> · 200 m<sup>2</sup> · 240 m<sup>2</sup>.
2. Unit with basic fittings: Please check the box for your desired unit type and specify the number of unit(s) above the underline.  
 Unit A (9 m<sup>2</sup>): \_\_\_\_\_ unit(s)  
 Unit B (6 m<sup>2</sup>): \_\_\_\_\_ unit(s)  
 Unit exclusively for related medical society societies and research institutions (3 m<sup>2</sup>) : 1 unit (unique option)
3. Outdoor vehicle exhibit: Please specify the number of vehicle(s) and size.  
 Number of vehicle(s)       \_\_\_\_\_       Size of vehicle(s)       \_\_\_\_\_

◆ The following information should be provided by group exhibitors only.  
Please circle one: JIRA member companies or non-JIRA member companies

Name of Managing Company \_\_\_\_\_ Share of exhibition fee \_\_\_\_\_%

Name of Co-Exhibiting Company (    JIRA member    ·    non-JIRA member    )  
 \_\_\_\_\_ Share of exhibition fee \_\_\_\_\_%

Name of Co-Exhibiting Company (    JIRA member    ·    non-JIRA member    )  
 \_\_\_\_\_ Share of exhibition fee \_\_\_\_\_%

Note: We cannot guarantee that your application will be accepted, owing to both layout restrictions and lottery results.

Committee of the International Technical Exhibition of Medical Imaging

**Japan Radiology Congress (JRC)**



Kandasurugadai Bldg. 7F, 3-8, Kandaogawamachi, Chiyoda-ku, Tokyo  
101-0052, Japan  
Fax: 81-3-3518-6139 E mail: [item@office.email.ne.jp](mailto:item@office.email.ne.jp)